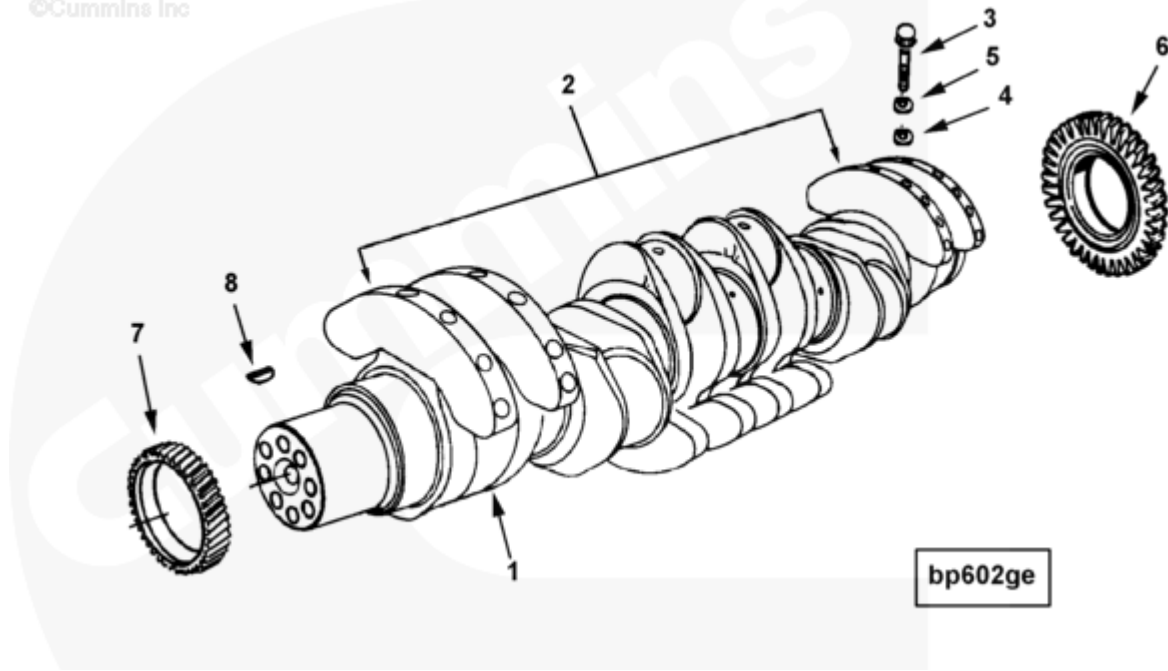




Parts Catalog - Option Detail

| Electronic Parts Catalog - Option Detail | | | | |
|--|---|---------|-----------|-----------|
| Option | Group | Graphic | Film Card | Date |
| BP6731-01 | 01.02 | bp602ge | K38 | 24-JUN-02 |
| Engines | GTA38, K38, KTA38GC CM558, QSK38 CM2150 K106, QSK38 CM2150 MCRS, QSK38 CM850 MCRS | | | |

©Cummins Inc



[SMALL](#) | [MEDIUM](#) | [LARGE](#)

| Cart | Ref No | Part Number | Part Description | Required | Remarks |
|------------------------------|--------|---------------------------|------------------|----------|---|
| View My Cart | | | | | |
| | | BP6731-01 | Crankshaft | | KT38/KTA38 certified...(More) |
| | | | | | crankshaft assembly with |
| | | | | | 3.05in. cranknose bolt circle |
| | | | | | diameter and rolled threads. |
| | | | | | For use when rear gear train |
| | | | | | and rear hydraulic pump |
| | | | | | drives are not specified. |
| | | | | | Has no provision for later |
| | | | | | adaptation. |

| | | | | | |
|--------------------------|---|-------------------------|---------------------------|----|-----------------------------|
| | | | | | For use when marine agency |
| | | | | | approval is specified on m2 |
| | | | | | engines only. |
| <input type="checkbox"/> | | 3630059 | Engine Crankshaft | 1 | |
| | 1 | 3630056 | Engine Crankshaft | 1 | |
| <input type="checkbox"/> | 2 | 3176216 | Crankshaft Counter Weight | 8 | |
| <input type="checkbox"/> | 3 | 219153 | Fracture Resistant Screw | 16 | |
| <input type="checkbox"/> | 4 | 3176218 | Ring Dowel | 16 | |
| <input type="checkbox"/> | 5 | 205126 | Plain Washer | 16 | 5/8 in. |
| <input type="checkbox"/> | 6 | 3175255 | Crankshaft Gear | 1 | |
| <input type="checkbox"/> | 7 | 3628798 | Crankshaft Gear | 1 | |
| <input type="checkbox"/> | 8 | 206904 | Plain Woodruff Key | 1 | |

© 2019 Cummins Inc., Box 3005, Columbus, IN 47202-3005 U.S.A.
Terms of Use and Disclaimers | Recommended System Requirements
Need Assistance? Please click on the Contact Us button in the top right corner of any page.